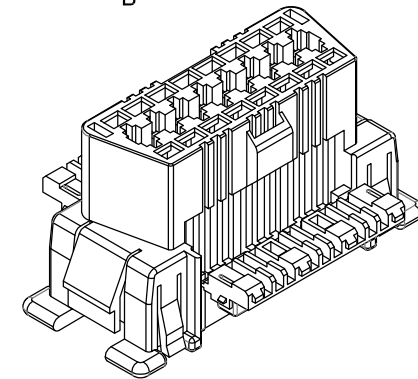
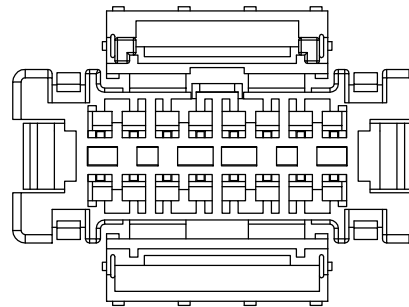
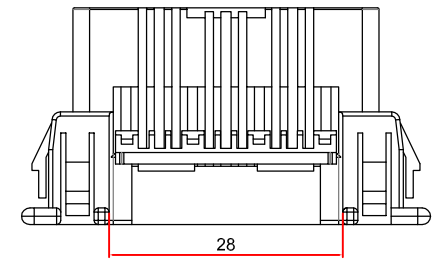
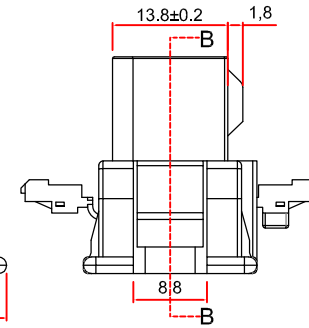
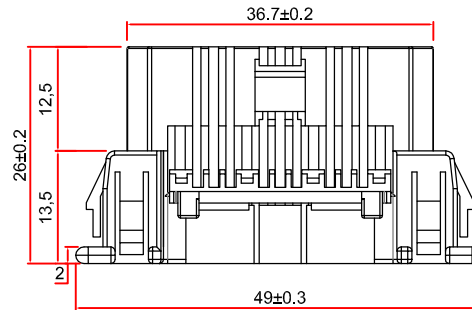
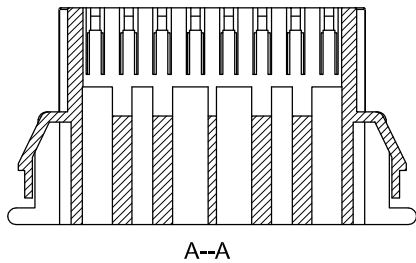
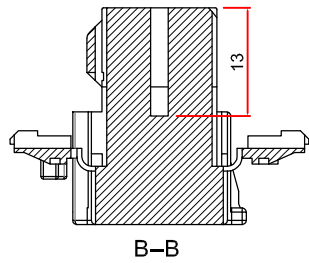
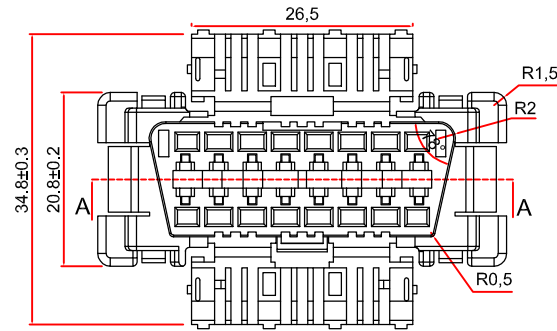


RoHS

REV.	DES.	DATE
A	RELEASE	15/04/2008



Quality requirement:

1. Size tolerance is ± 0.2
2. The beautiful appearance, no flow lines, strong adhesive, shrinkage defects, bubbles, scratches, etc

1	Housing	DCM - 103 molding 16p public support, the white PA66 material	13G
Item	Material	Specification	Q'ty

MATERIAL	2008010	DRAW	ANDY	Name	OBD Female-5	QL-Custom.com RM1009 Building 1 No.105 Tai'an Road Humen Town Dongguan Guangdong China
UNIT	SCALE FREE	CHECK	J.KOU	REVISION	A	
MM		APPROVE	JOE	DATE	15/04/2008	

1

2

3

4

5