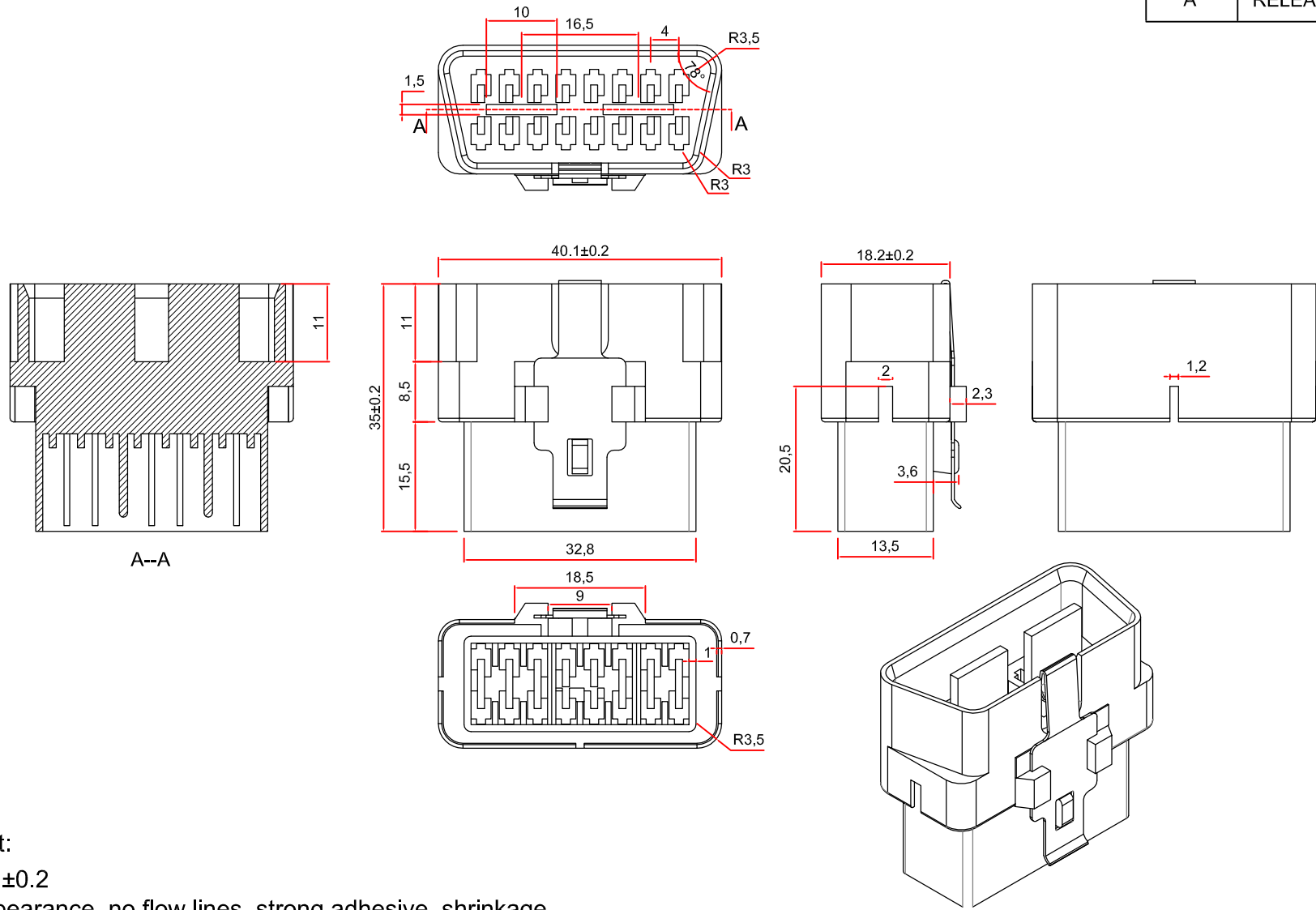


RoHS

REV.	DES.	DATE
A	RELEASE	20/03/2008



Quality requirement:

1. Size tolerance is  $\pm 0.2$
2. The beautiful appearance, no flow lines, strong adhesive, shrinkage defects, bubbles, scratches, etc

				MATERIAL	2008005	DRAW	ANDY	Name	OBD Male-3	QL-Custom.com RM1009 Building 1 No.105 Tai'an Road Humen Town Dongguan Guangdong China 523925
2	Shrapnel	32.3*13*0.4 Stainless steel shrapnel	1 PC	UNIT	SCALE FREE	CHECK	J.KOU	REVISION	A	
1	Housing	DCM - 103 molding 16p public support, the black ABS material	13 G	MM		APPROVE	JOE	DATE	20/03/2008	
Item	Material	Specification	Q'ty							